

etMEMS™ Dual Full 2x2 Multimode Fiberoptic Switch

(Protected by U.S. patent 8,203,775 and other patents pending)

Product Description

The etMEMS™ Series Dual Full 2x2 Multimode Fiberoptic switch connects optical channels by redirecting incoming optical signals into selected output fibers. This is achieved using a proprietary etMEMS™ configuration and activated via an electrical control signal. It uniquely features rugged thermal activated micro-mirror movement instead of rotation, and latches to preserve the selected optical path after the drive signal and the power have been removed. This novel design significantly simplify the control electronics, offering unprecedented high stability and an unmatched low cost.

We also offer the built-in driver version, which features a convenient user interface.



Performance Specifications

etMEMS™ Dual Full 2x2 MM Switch	Min	Typical	Max	Unit
Operation Wavelength	Single Band	820-880, 1260-1360, 1510- 1610		nm
	Dual Band	850/1310, 1310/1550		
	Broad Band	1260-1620		
Insertion Loss ^{[1], [2]}		0.7	1.0	dB
Wavelength Dependent Loss		0.2	0.3 ^[3]	dB
Return Loss ^[1]	35			dB
Cross Talk ^[1]	35			dB
Switching Time		20		ms
Repeatability			±0.05	dB
Repetition Rate			20	Hz
Durability	10 ⁹			Cycle
Switching Type		Latching		
Operating Temperature	-5		70	°C
Storage Temperature	-40		85	°C
Optical Power Handling		300	500	mW
Fiber Type		MM 50/125		

[1]. Excluding connectors.

[2]. Measure at Light source CPR<14 dB.

[3]. Dual band and Broad band.

Features

- High Reliability
- Latching
- Intrinsic tolerance to ESD

Applications

- Channel Routing
- Configurable Add/Drop
- System Monitoring
- Instrumentation



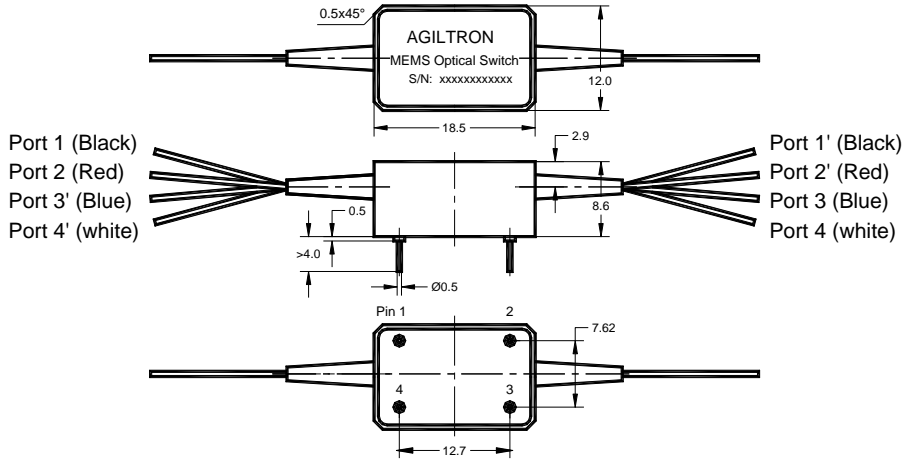
Revision: 2-27-17

etMEMS™ Dual Full 2x2 Multimode Fiberoptic Switch



Mechanical Dimensions with Built-in Driver (Unit: mm)

Package 1 (With Build-in Driver) :



Electrical Driving Requirements with Built-in driver

Pin No.	Symbol	Type	Description
1	12VDC	I	DC power supply, voltage range is 11.5V-12.5V.
2	TTL-A	I	TTL input port.
3	TTL-B	I	TTL input port.
4	GND		Ground.

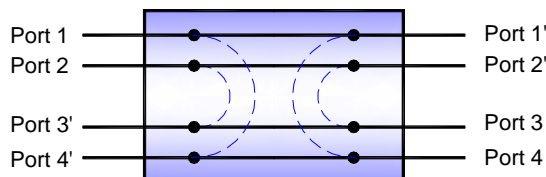
Control Input Pins ^[1]		Optical Path Directing
TTL-A	TTL-B	
H pulse ^[2]	L	Port 1→2, Port 4→3
L	H pulse ^[2]	Port 1→3, Port 4→2

[1]. H: high level (3.5V-5.5V), L: low level (0V-1.5V).

[2]. H pulse: (3.5V-5.5V) high level pulse, minimum width of 10 us is required. It should return to L to prevent repetitively switching actions.

[3]. Please call sale for user manual if the position sensing is needed.

Function Diagram



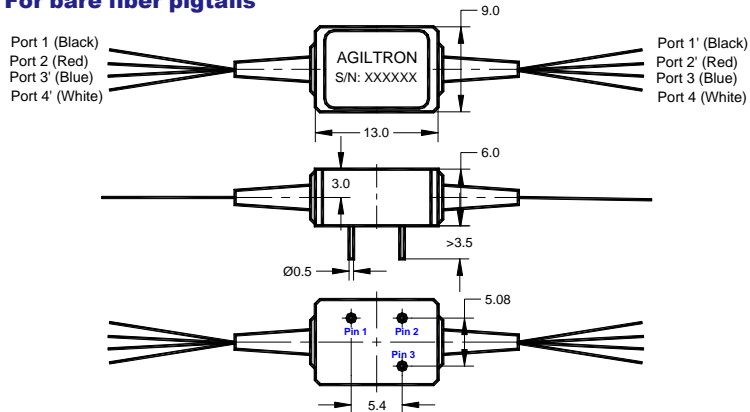
Revision: 2-27-17

etMEMS™ Dual Full 2x2 Multimode Fiberoptic Switch

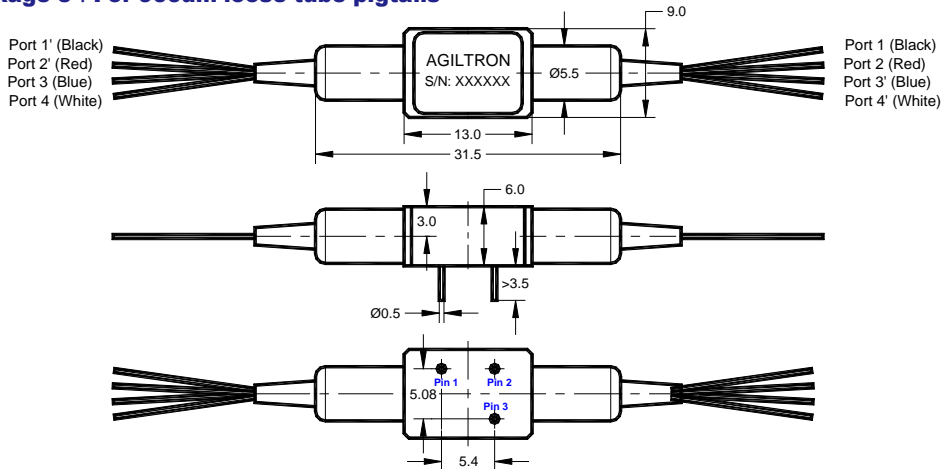


Mechanical Dimensions without Built-in Driver (Unit: mm)

Package 2 : For bare fiber pigtailed



Package 3 : For 900um loose tube pigtailed



Electrical Driving Requirements w/o Built-in Driver

Optical Path	Pin 1	Pin 2	Pin 3
Port 1→2, Port 4→3	Driving pulse	GND	NC
Port 1→3, Port 4→2	NC		Driving pulse

Driving Pulse Definition	Min	Typical	Max	Unit
Driving Pulse Voltage	9	9.3	9.5 [1]	V
Driving Pulse Width	12	12.5	13 [1]	ms
Peak Current		290		mA

[1]. Attention! Outside this range could damage the device.



Revision: 2-27-17

etMEMS™ Dual Full 2x2 Multimode Fiberoptic Switch



Ordering Information

MEDU ⁽¹⁾ -	<input type="checkbox"/>	<input type="checkbox"/>	<input type="checkbox"/>	1	<input type="checkbox"/>	<input type="checkbox"/>	<input type="checkbox"/>	<input type="checkbox"/>	<input type="checkbox"/>
Type	Wavelength	Switch	Package	Fiber Type	Fiber Length	Connector			
2x2=22 Special=00	1060=1 C+L=2 1310=3 1550=5 780=7 850=8 1310 & 1550=9 850 & 1310=A 1260-1620=B Special=0	Latching=1	Package 1 (with Build-in Driver)=1 Package 2=2 Package 3=3 Special=0	MM 50/125=5 OM4=7 Special=0	Bare fiber=1 900um loose tube=3 Special=0	0.25m=1 0.5m=2 1m=3 Special=0	None=1 FC/PC=2 FC/APC=3 SC/PC=4 SC/APC=5 ST/PC=6 LC=7 Duplex LC=8 Special=0		

[1]. **MEDU**: **MEMS DUAL** Full 2x2 Switch.



Revision: 2-27-17